

SERIES 6E(UM-5) Resistance Welded Package.

■ Feature

- Excellent frequency temperature characteristics extending across a wide temperature range.
- Excellent aging characteristics.
- Uniform frequency tuning range and modulation sensitivity
- Excellent shock resistance.



■ ELECTRICAL SPECIFICATIONS

Frequency Range	4.000MHz ~ 200.000MHz
Mode of Vibration	Fundamental / 3 rd Overtone / 5 th Overtone / 7 th Overtone
Equivalent Series Resistance (ESR)	See Table 1
Frequency Tolerance at 25°C	± 10ppm ~ ± 50ppm
Frequency Stability	See Table 2
Operating Temperature Range	-10°C ~ +60°C (Typ.)
Storage Temperature Range	-40°C ~ +85°C
Load Capacitance	Series of 9pF ~ 50pF
Drive Level	100 Mw(Typ.)
Shunt Capacitance (C0)	4.5pF ~ 7pF(Typ.)
Dynamic Capacitance (C1)	18fF ~ 20fF(Typ.)
Aging	± 5ppm/Year

■ Equivalent Series Resistance(E.S.R) And Mode Of Operation(Mode)

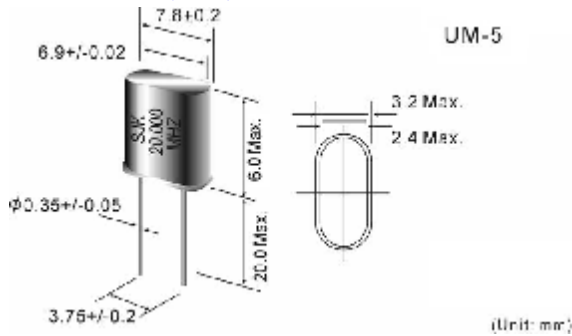
Frequency Range	E.S.R(Ω)	Mode	Frequency Range	E.S.R(Ω)	Mode
4.000MHz~4.999MHz	100 Max.	Fundamental	14.000MHz~19.999MHz	40 Max.	Fundamental
5.000MHz~5.999MHz	90 Max.	Fundamental	20.000MHz~23.999MHz	30 Max.	Fundamental
6.000MHz~6.999MHz	80 Max.	Fundamental	24.000MHz~34.999MHz	40 Max.	3 rd Overtone
7.000MHz~9.999MHz	60 Max.	Fundamental	35.000MHz~99.999MHz	80 Max.	3 rd Overtone
10.000MHz~13.999MHz	50 Max.	Fundamental	100.000MHz~200.000MHz	100 Max.	5 th / 7 th Overtone

■ DIMENSION (mm) AND FRQUENCY STABILITY

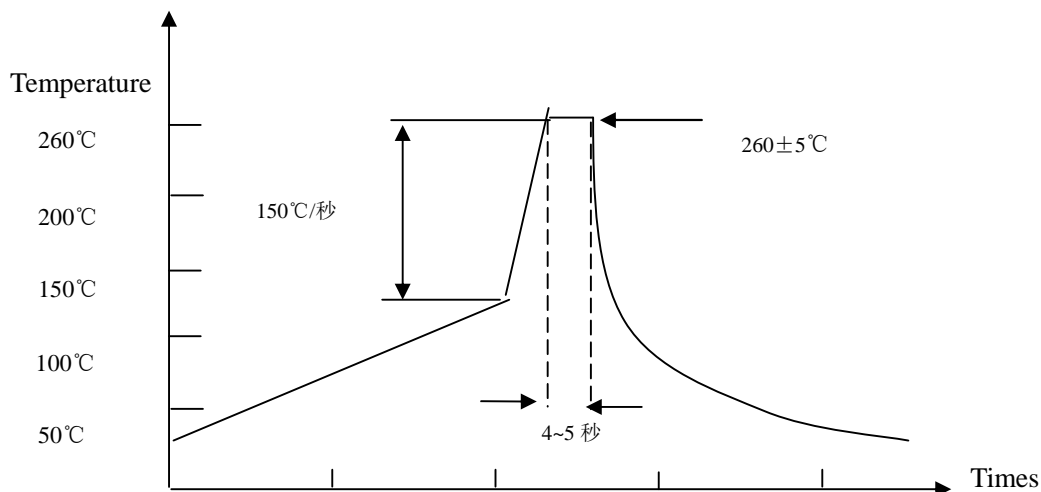
FREQUENCY STABILITY US OPERATING TEMPERATURE RANGE

Temperature Range	Frequency Stability					
	± 10ppm	± 15ppm	± 20ppm	± 25ppm	± 30ppm	± 50ppm
-10°C~+60°C	✓	✓	✓	✓	✓	✓
-20°C~+70°C	✓	✓	✓	✓	✓	✓
-40°C~+85°C			✓	✓	✓	✓

Dimension (mm)



Wave soldering temperature curve



SJK-6E -	24	16	10	30	F	B	15
	Frequency e.g.: 24:24.000MHz	Load Capacitance e.g.: 16:16Pf Series	Frequency tolerance: e.g.: 10:10ppm	ESR Max: e.g.: 30:30 Ω Max	Oscillator mode: F: Fundamental 3:3rd overtone 5:5th overtone 7:7th overtone	Operating temperature range: A:-10°C~60°C B:-20°C~70°C C:-40°C~85°C	Temperature stability: e.g.: 15:±15ppm