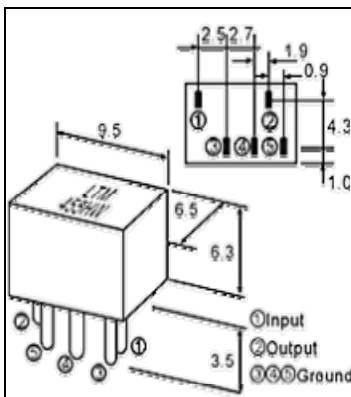
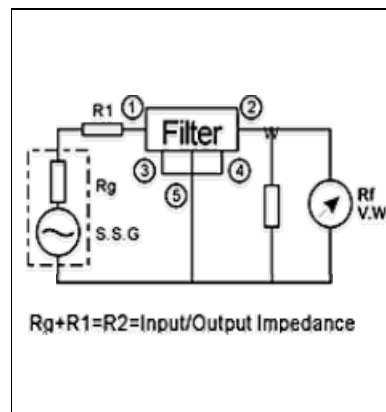


TECHNICAL CHARACTERISTICS

Center Part Number	Insertion Frequency (KHz)	Pass Band Loss (db) max	6db Ripple (db) max	50db Bandwidth (KHz) min 6db	Stop Band Att. Bandwidth (KHz) max 5db	Input/Output ± 100 KHz (db) min	Impedance (Ω)
LT445BW	455 ± 2.0	4	2	± 15	± 30	40	1500
LT445CW	455 ± 2.0	4	2	± 12.5	± 24	40	1500
LT445DW	455 ± 1.5	4	2	± 10	± 20	40	1500
LT445EW	455 ± 1.5	6	2	± 7.5	± 15	40	1500
LT445FW	455 ± 1.5	6	2	± 6	± 12.5	40	2000
LT445GW	455 ± 1.5	6	2	± 4.5	± 10	40	2000
LT445HW	455 ± 1.0	6	2	± 3	± 9	40	2000
LT445IW	455 ± 1.0	6	2	± 2	± 7.5	40	2000
LT445HTW	455 ± 1.0	6	2	± 3	± 9	60	2000

TECHNICAL CHARACTERISTICS (450KHz Series)

Center Part Number	Insertion Frequency (KHz)	Pass Band Loss (db) max	6db Ripple (db) max	50db Bandwidth (KHz) min 6db	Stop Band Att. Bandwidth (KHz) max 5db	Input/Output ± 100 KHz (db) min	Impedance (Ω)
LT450BW	455 ± 2.0	4	2	± 15	± 30	40	1500
LT450CW	455 ± 2.0	4	2	± 12.5	± 24	40	1500
LT450DW	455 ± 1.5	4	2	± 10	± 20	40	1500
LT450EW	455 ± 1.5	6	2	± 7.5	± 15	40	1500
LT450FW	455 ± 1.5	6	2	± 6	± 12.5	40	2000
LT450GW	455 ± 1.5	6	2	± 4.5	± 10	40	2000
LT450HW	455 ± 1.0	6	2	± 3	± 9	40	2000
LT450IW	455 ± 1.0	6	2	± 2	± 7.5	40	2000
LT450HTW	455 ± 1.0	6	2	± 3	± 9	60	2000

DIMENSION (mm)

TEST CIRCUIT

CHARACTERISTICS
